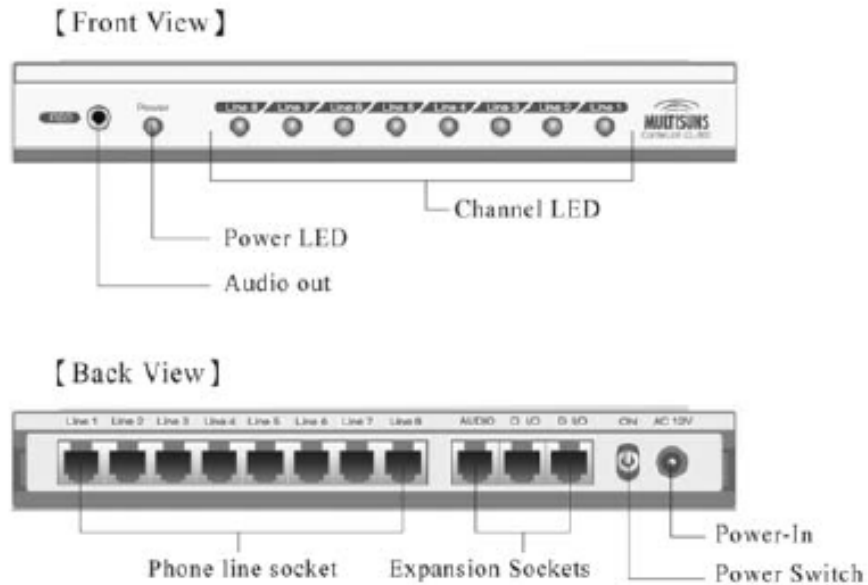


# ConferLink CL-800 Installation

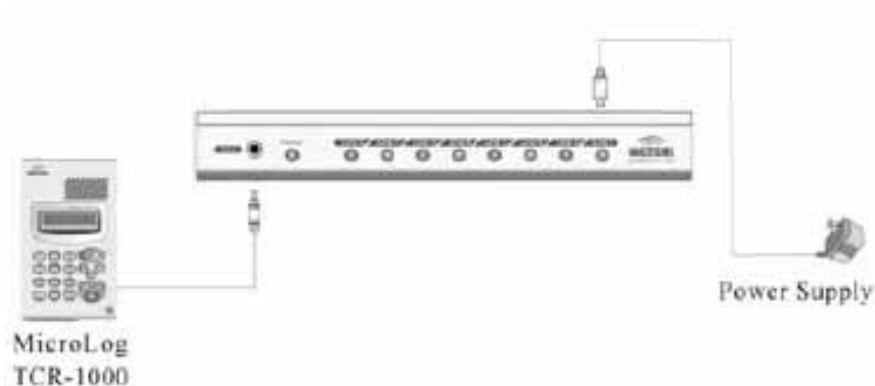
## Analog Phone Lines

### Main Body View



### Installation

- 1) Plug In Power Adapter
  - a. Plug the power adapter to the wall power outlet and then plug the power cable to the ConferLink. The Power LED is lit after the power ON switch is set to the “ON” position.
- 2) Connect Third Party Voice Recorder, if any
  - a. Plug Multisuns’ digital MicroLog TCR-1000 voice logger or any third party voice recorder into the audio out socket.

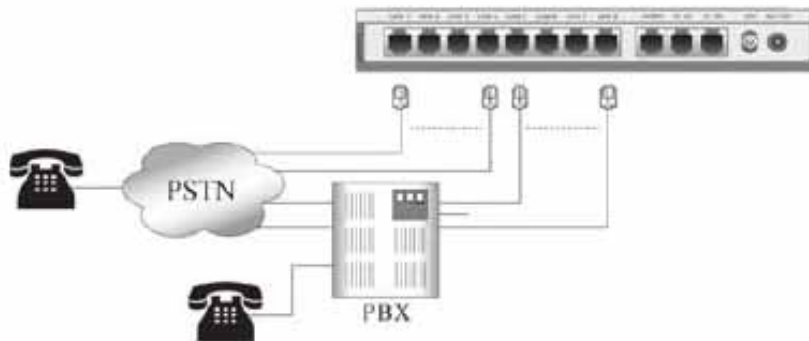
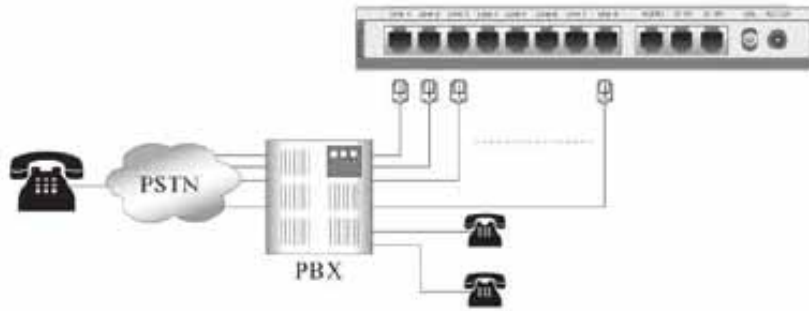
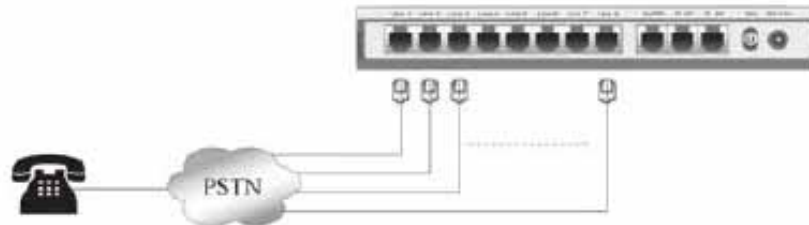


## Telephone Line Hookup

ConferLink is connective with 1-8 phone lines

### 1) Standard Wiring Plan

- a. Phone lines are dedicated to terminate at channel sockets under the default ConferLink configuration. No other telephone or station sets should be wired in parallel with ConferLink. The following are examples of this wiring plan:



- 2) Optional Wiring Plan: Refer to ConferLink CL-800 Users Manual.

# Installing Discuss with ConferLink

## Optional PC Management Software

### Installations and Wiring

#### 2.1 Install ConferLink CL-800 Unit

If the Discuss system is composed with two CL-800 units, use the DI/O Cable to connect any one of the DI/O socket on the rear panel of any CL-800, and use Audio Cable to connect to the Audio sockets (see Fig.2).

#### 2.2 Install Discuss Hub

Discuss Hub converts the LAN signals into RS-485 signals for communication between user PC and conference units CL-800 through LAN network (Fig. 1) is the outline of the Discuss Hub.



Fig. 1 Discuss Hub

Connecting Discuss Hub with CL-800, insert the RJ-11 jack of RS-485 cable into CL-800 DI/O socket and D type connector in the other end to the Discuss Hub D connector. Then use the attached power adapter to power the Discuss Hub. To connect Discuss Hub with LAN network, please consult your MIS staff.

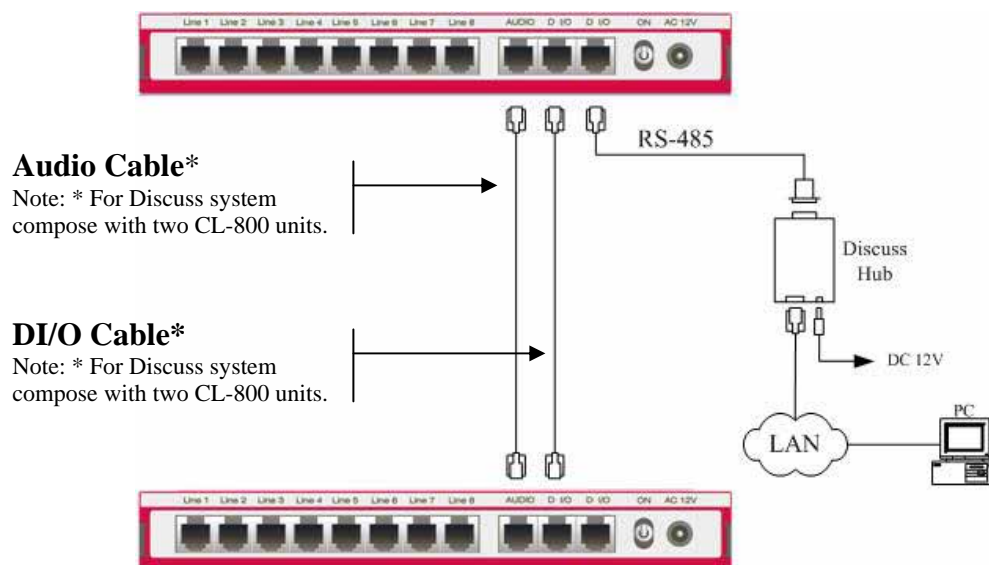


Fig. 2 Discuss Wiring Method